



6L “R” Style Rigid Pak Market Weight

0511 Series

Mold Number(s): R430

A 6L oblong (“F” style) bottle made of High Density Polyethylene. The package is ideal for use as a shipping container for a wide range of Chemicals and numerous general uses.

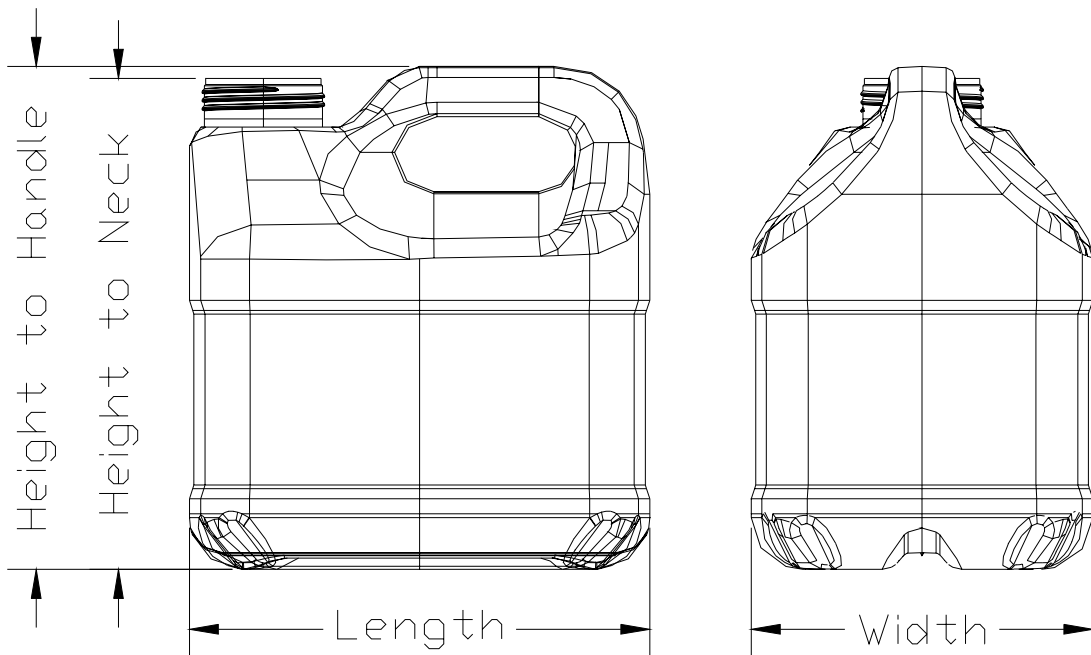
PERFORMANCE SPECIFICATIONS

- No objection status for food contact applications from the Health Protection Branch in Canada and compliance for use in food contact applications by the Food and Drug Administration in the United States. Black bottles excluded.

DIMENSIONS

Capacity	Rated	6.0L	Overflow (to top of neck)	6.80L minimum
Weight	Bottle Only	230g +50g-15g		
Dimensions	Length	9.162”	Width	6.796”
	Height to neck	9.665”	Height to handle	9.965”
Panel	Minimum Wall Thickness	0.023”		
	Height	3.3”	Circumference	28.0”

RELIANCE



Shown with 63mm neck

SPECIAL FEATURES

- Neck Finishes Standard – 63mm neck designed for Rieke FS-632 and FS-641 Screw Caps
 Custom – 63mm neck designed for Rexam 63mm-DCR Cap
 Custom – 38mm neck designed for SP 400 caps.
- Closures Will accept induction seals. Spigots and vented caps available.
- Decorating Bottles may be flamed on the recessed panels to improve adhesion. Bottles may also be custom sleeved on line or post labelled at an extra charge.
- Packaging Bottles may be delivered in shipper cartons or palletized. Shipper carton quotes based on carton specifications.

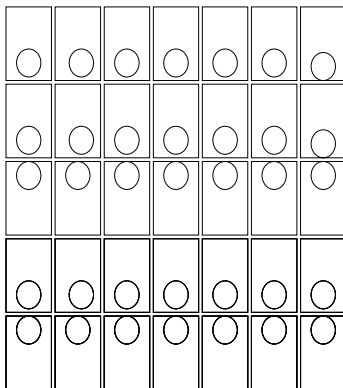
FILLING AND STACKING RECOMMENDATIONS

- Compatibility of the bottle with the fill product is the responsibility of the filler.
- Contents should not exceed 70°C (158°F) at time of fill.
- Filled containers should not be stacked and stored above 50°C (122°F).
- Filled containers, based on contents of 6 kg (13.2 lbs.) per container, may be stacked as follows:
 - Single wall carton.....4 high, 2 bottles per carton
 - Double wall carton..... 6 high, 2 bottles per carton

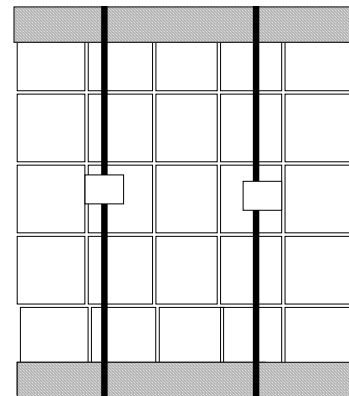
PACKAGING AND SHIPPING DATA

<p>Quantity Per Pallet</p> <p>Package Weight</p> <p>Shipping Dimensions (L x W x H)</p> <p>Shipping Volume (Cubic Feet)</p>	<p><u>Bulk</u></p> <p>175 pieces</p> <p>99.8 lbs.</p> <p>47.75" x 46.25" x 50.60"</p> <p>64.7</p>
---	--

Packaging includes top and bottom corrugate trays, secured with strapping and stretch wrap.



Top View of Pallet



Side View of Pallet

WARRANTY

Reliance Products L.P. warrants product to meet the above specifications and to be free from defect in workmanship and materials at time of shipment. Liability is limited to the replacement cost of the containers purchased.

PRODUCT RANGE

Reliance Products L.P. has many decades of experience manufacturing a wide range of both injection and blow moulded plastic shipping containers, including:

Bottles	1L to 23L	Tighthead Containers	10L to 23L
Pails	4L to 23L	Collapsible Containers	10L to 25L

Call us for all of your related packaging needs