



**6.5L No Glug Rigid Pak**

032 series

Mold Number(s): R433

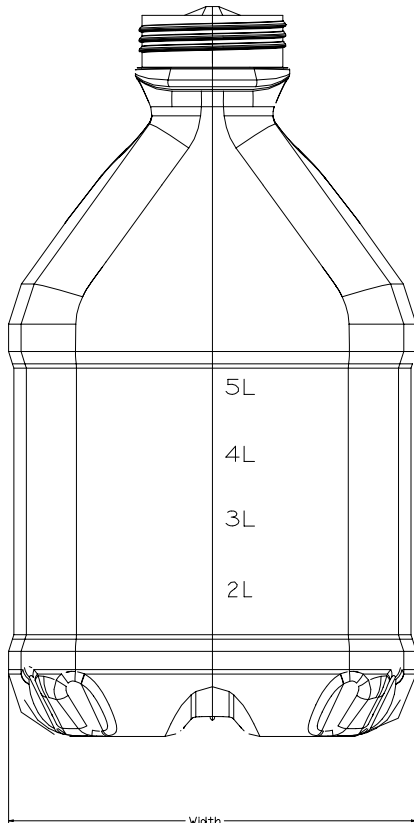
A 6.5L heavy duty, F-style bottle made of High Density Polyethylene. The package is ideal for use as a shipping container for a wide range of Chemicals and numerous general uses. The No Glug design provides safe, splash free pouring, while decreasing the time required to empty the bottle contents.

**PERFORMANCE SPECIFICATIONS**

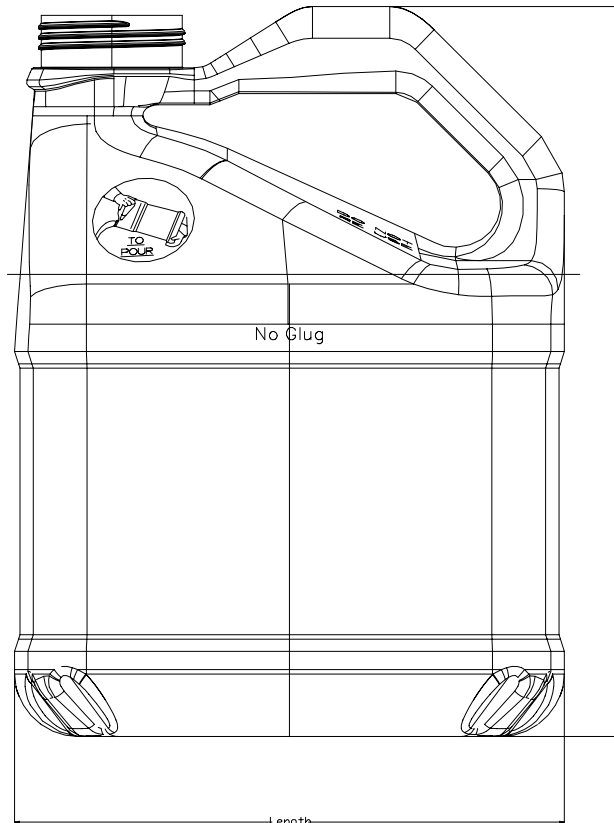
- No objection status for food contact applications from the Health Protection Branch in Canada and compliance for use in food contact applications by the Food and Drug Administration in the United States. Black bottles excluded.

**DIMENSIONS**

<b>Capacity</b>	<b>Rated</b> 6.5L	<b>Overflow (to top of neck)</b> 7.8L
<b>Weight</b>	<b>Bottle Only</b> 290.0g	
<b>Dimensions</b>	<b>Length</b> 9.162"	<b>Width at bumper</b> 6.796"
	<b>Height to neck</b> 11.9"	<b>Height to handle</b> 12.0"
<b>Panel</b>	<b>Minimum Wall Thickness</b> 0.023"	
	<b>Height</b> 4.4"	<b>Circumference</b> 28.0"



LEFT VIEW



FRONT VIEW

## SPECIAL FEATURES

Neck Finishes	63mm neck designed for Rieke FS-632 and FS-641 Screw Caps
Closures	Will accept induction seals. Spigots and vented caps available.
Barrier Properties	Available with <b>Barrier Pak</b> in-line <b>fluorination</b> to reduce the permeation of aggressive formulas. See our Barrier Pak specification (SS-BP-001) for details.
Decorating	Bottles may be flamed on the recessed panels to improve adhesion. Bottles may also be custom sleeved on line or post labelled at an extra charge.
Packaging	Bottles are delivered on pallets.

## FILLING AND STACKING RECOMMENDATIONS

- Compatibility of the bottle with the fill product is the responsibility of the filler.
- Contents should not exceed 70°C (158°F) at time of fill.
- Filled containers should not be stacked and stored above 50°C (122°F).

## PACKAGING AND SHIPPING DATA

### Quantity Per Pallet

### Package Weight

### Shipping Dimensions (L x W x H)

### Shipping Volume (Cubic Feet)

### Bulk – 140 Pak

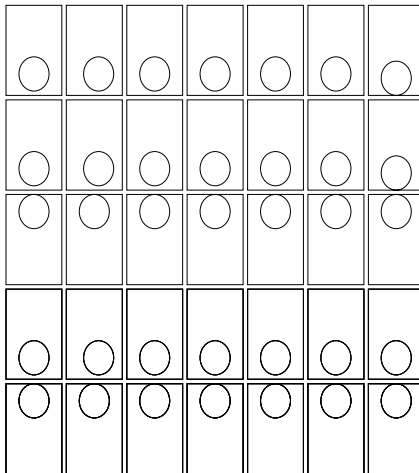
140 pieces

102 lbs.

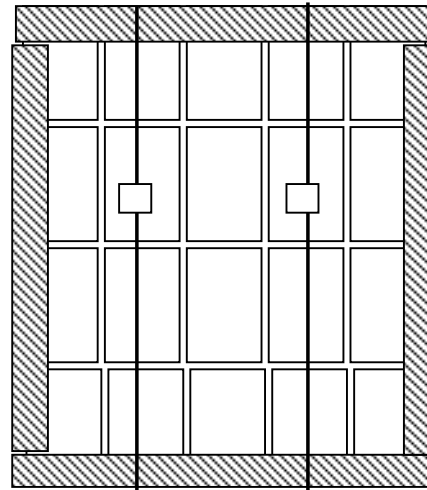
47.25" x 46.25" x 48.25"

61.1

Packaging includes top and bottom corrugate trays, secured with strapping and stretch wrap.



Top View of Pallet



## WARRANTY

Reliance Products L.P. warrants product to meet the above specifications and to be free from defect in workmanship and materials at time of shipment. Liability is limited to the replacement cost of the containers purchased.

## PRODUCT RANGE

Reliance Products L.P. has many decades of experience manufacturing a wide range of both injection and blow moulded plastic shipping containers, including:

Bottles 1L to 23L

Pails 4L to 23L

Tighthead Containers 10L to 23L

Collapsible Containers 10L to 25L

Call us for all of your related packaging needs